

Best value for your cranes

Our number one priority at Yaskawa Europe is to always keep the customer's perspective in mind. Continuing with this focus and adding user friendly AC Drive settings, we offer the highest market benchmark in quality and product reliability. Our CR700 crane drive was developed based on over 30 years of crane industry experience to further optimize crane applications based on the concepts of Flexible, Easy, Sustainable.

Anti-sway function

The CR700 crane drive has a built-in cargo swing suppression function. This special functionality supports the crane operator to prevent uncontrolled load fluctuations during the traverse movement which results in reduced takt times and higher crane efficiency.

Load balance function without encoder

The load balance function without the need of an encoder shares the load impact between two drives.

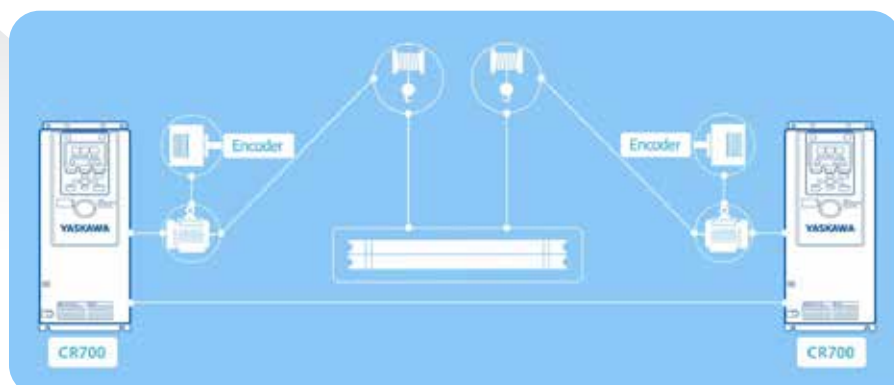
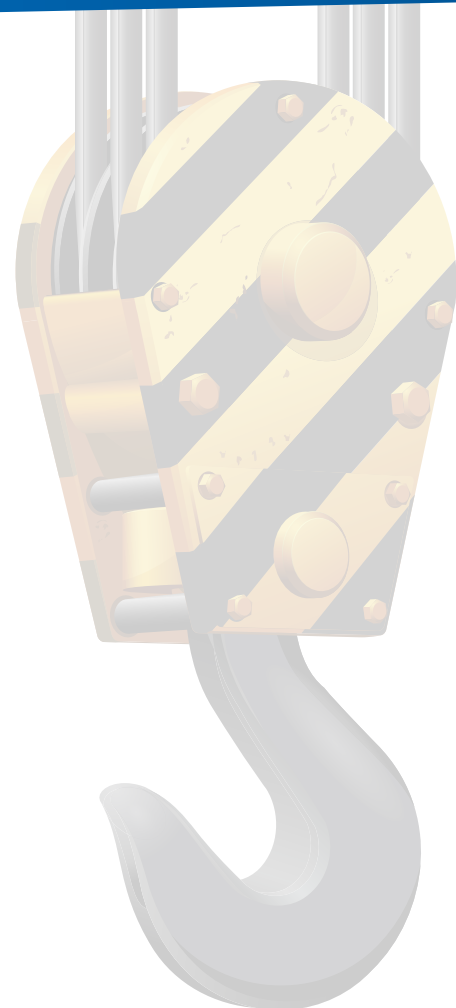
Your crane application benefits by eliminating the need of encoder installation which also reduces the risk of possible fault caused by encoder failure.

High-speed operation at light loads

The High-speed operation function detects if the application is running with full or light load. In case of light load the drive will increase the frequency reference and operation speed which helps to shorten the cycle time and increasing the crane efficiency.

Synchronized position control

Synchronized position control protects your crane application against position deviation. This CLV operation of the CR700 eliminates position error which might occur when lifting or lowering a load jointly with two crane drives. Additionally it helps you to eliminate additional external control loops.



Copy function

Multiple sets of parameters can be stored and easily transferred (copied) to additional drives

Hi-resolution display

Contrast control offers clear and readable full-text descriptions

Automatic backup function

Saves the current parameter settings after a period of user inactivity. After an incident, settings can be retrieved from the keypad in a couple of seconds.

Advanced keypad navigation

Faster scrolling and function keys offer faster navigation and short-cuts reducing programming time



Micro SD storage

Micro SD for data logging storage

Real-time clock

Real-time clock for time stamp of fault information (battery compartment in back)

Optional LCD keypad with Bluetooth®

Wireless communication capability between the mobile device and drive



Keypad benefits and features:

Reduce set-up time

- Start-up wizard
- Favorite parameter/monitor function
- Copy function integrated into the keypad
- Parameter set is backward compatible with previous generation drive products
- Fast navigation
- Parameter description

Drive parameter management

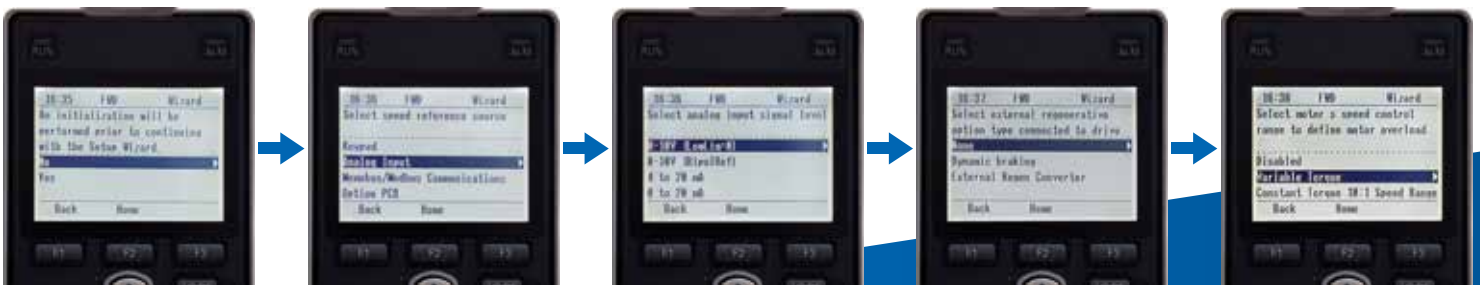
- Storage of up to 4 drive parameter sets
- Data logging with real time stamp e.g. for fault analysis, load profile analysis etc. (up to 32 GB on a Micro SD card)
- Fault logging with real time stamp for better analysis
- Multiple parameter storage
- Automatic parameter back-up

Easy to use

- LCD keypad with Bluetooth® option
- Display contrast control
- Real-time clock with time stamp
- Tactile feel buttons
- Remote mounting of keypad using standard RJ45 extension cable

Start-up wizard

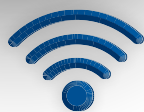
Reduce basic set-up time to minutes using the start-up wizard without any drive parameter knowledge



Convenient set-up and monitoring

Yaskawa Drive Cloud service

With the Yaskawa Drive Cloud, we provide free drive registration access to latest product information and online storage for parameter and application backup data. Yaskawa Drive Cloud is the easy and safe way to keep a record of your drive data and to have them available whenever you need them.



Convenient setup and monitoring:

DriveWizard® Mobile app

- Quick and easy drive management apps for smart devices
- Easy USB OTG cable or Bluetooth® connection
- Drive registration via cloud by scanning QR code
- Paperless and easy access to latest online manual and troubleshooting
- Archive and retrieve parameter settings with comments on your smart device
- Carefree data recovery: Parameter back-up/retrieval anytime via cloud service for registered drives

Yaskawa Drive Cloud service

- Online manual
- Complimentary storage for parameter backup and application records
- Convenient drive data storage accessible anywhere
- Direct access to your personal CR700 data package

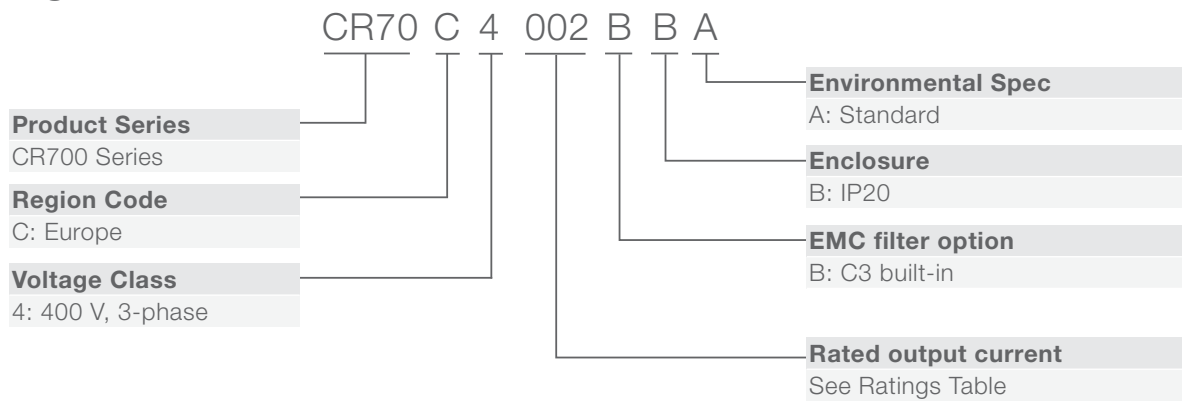
Search for

YASKAWA 

on



Catalog Code



Catalog Code CR70C	400V Class		Dimensions [mm]			Weight [kg]	
	Max. Applicable Motor Power	Rated Output Current	H	B	T		
	HD [kW]	HD [A]					
4002	0.55	1.8	260	140	176	3.5	
4003	1.1	3.4					
4005	1.5	4.8					
4006	2.2	5.5			211		3.9
4007	3.0	7.2					
4009	4.0	9.2					
4015	5.5	14.8					
4018	7.5	18			300		180
4024	11	24					
4031	15	31	350	220	227	7.5	
4039	18.5	39			246		
4045	22	45	400	240	280	16	
4060	30	60					
4075	37	75	450	255	335	35	
4091	45	91					
4112	55	112	543	264	420	40	
4150	75	150					
4180	90	180	700	312	472	80	
4216	110	216					
4260	132	260					
4304	160	304	800	440	480	120	
4371	200	371					
4414	220	414	1140	510	480	175	
4453	250	453					
4605	315	605					

DC Reactor	Built-in: 22 – 315 kW
Braking transistor	Built-in: 0.4 – 75 kW
Drive Features	Anti-sway function, Synchronized position control, Load balance function without encoder, High-speed operation at light loads, Wire-length detection, 3 different motor operation, Count of the number of brake commands, Gateway function, Travel limit function, Overtorque detection function, External heatsink mounting, Bluetooth option, Varnish coated printed circuit board (chemical gas: 3C3, solid particle: 3S2), etc.

YASKAWA Europe GmbH

Hauptstr. 185
65760 Eschborn
Germany

+49 6196 569-500
support@yaskawa.eu.com
www.yaskawa.eu.com

01/2021
YEU_INV_CR700_SPS_Flyer_EN_v1

Specifications are subject to change without notice for ongoing product modifications and improvements. © YASKAWA Europe GmbH. All rights reserved.

YASKAWA